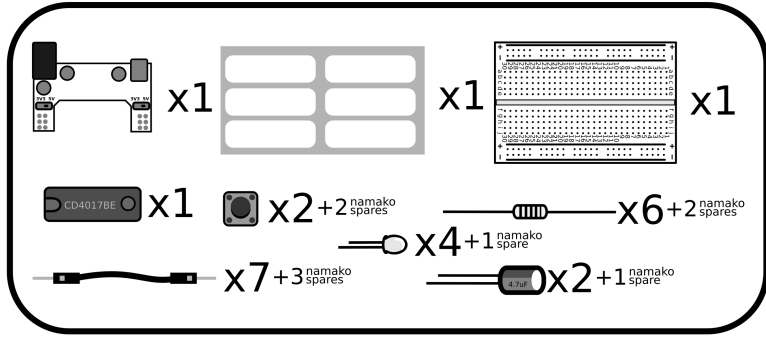
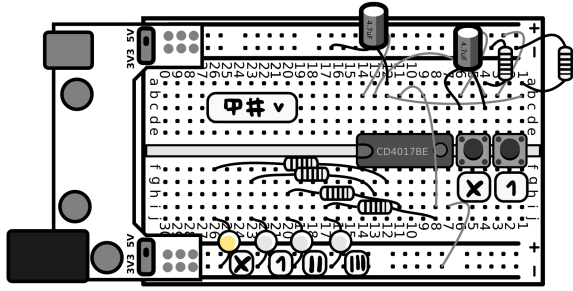


ilo nanpa lili lipu sona pi nasin pali (Assembly Instruction)

poki ni li jo e ni: (Kit Content)



suno pi taki pona
taki pona day 2021

jan Sate
sadale.net

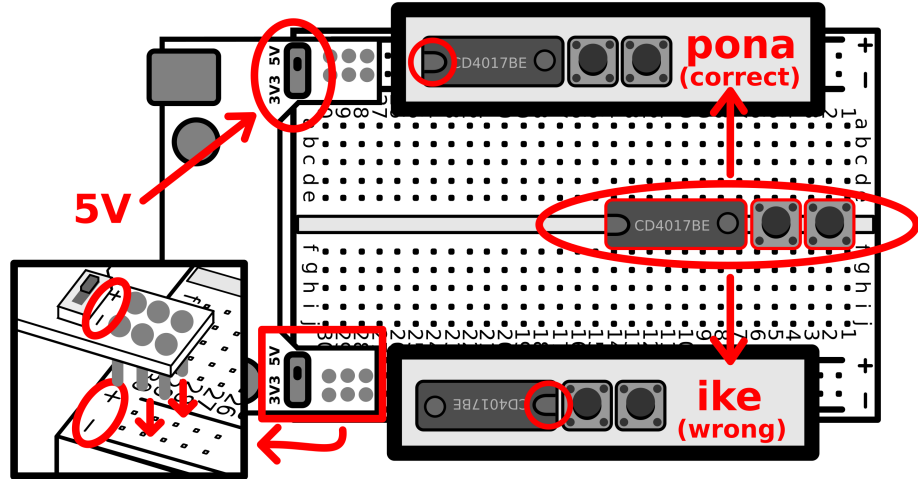
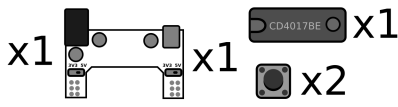
nanpa wan (Step 1)



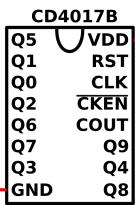
+5V ↑



GND ↓



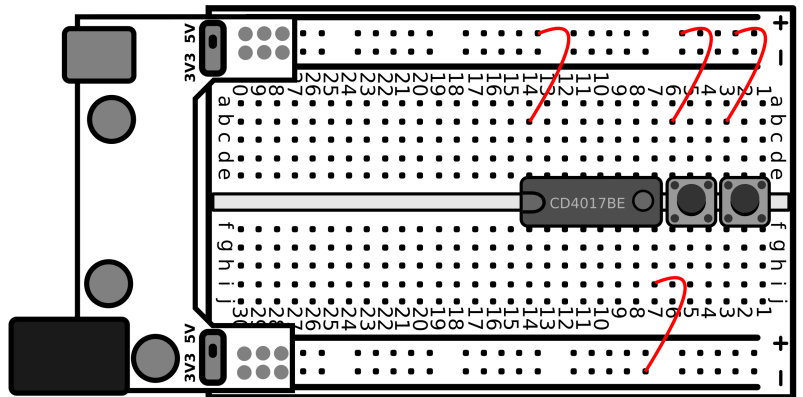
nanpa tu (Step 2)



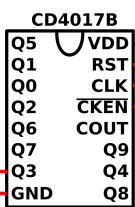
+5V ↑



GND ↓



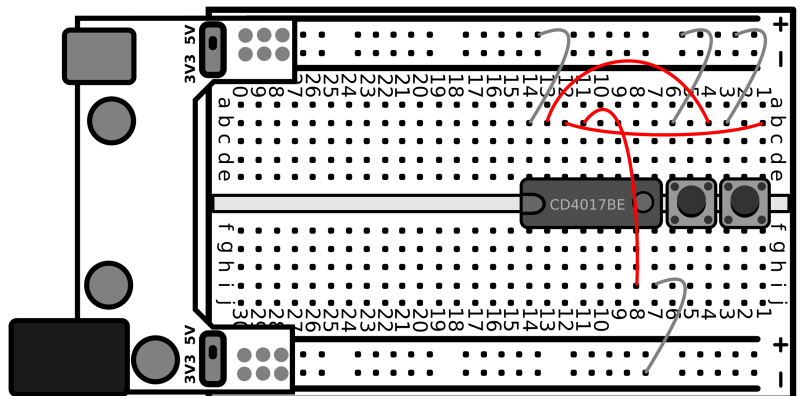
nanpa tu wan (Step 3)



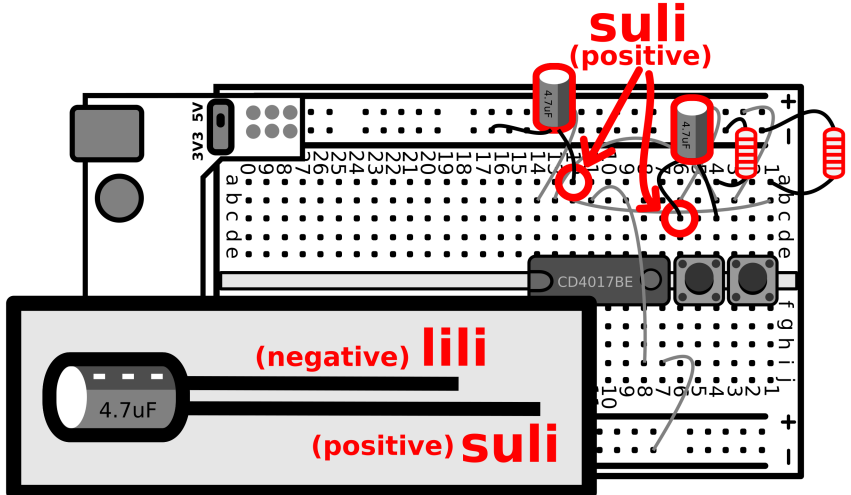
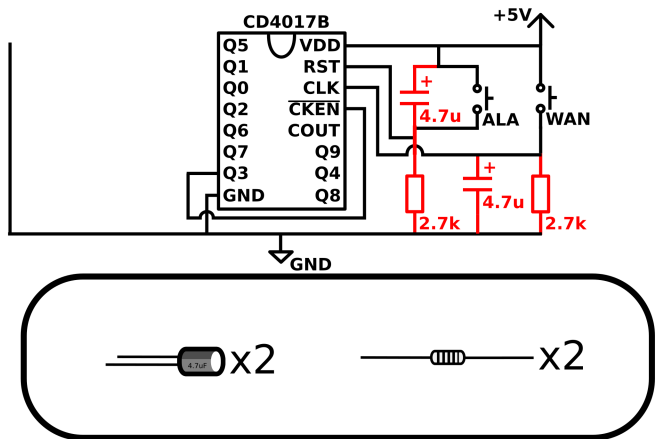
+5V ↑



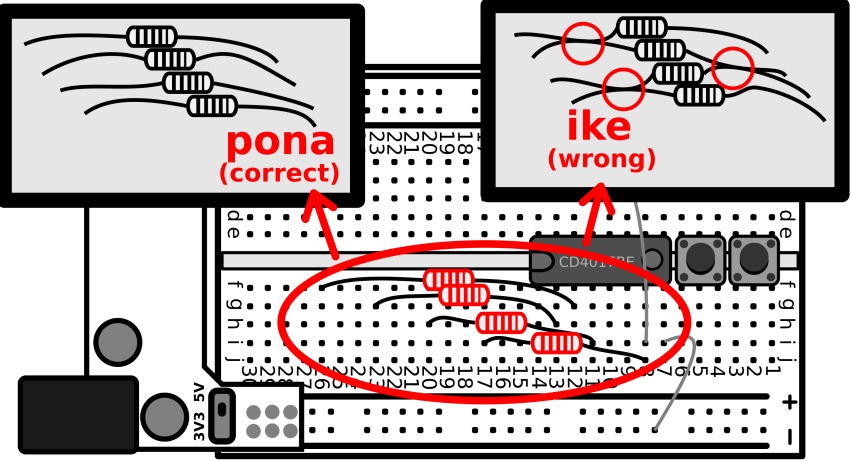
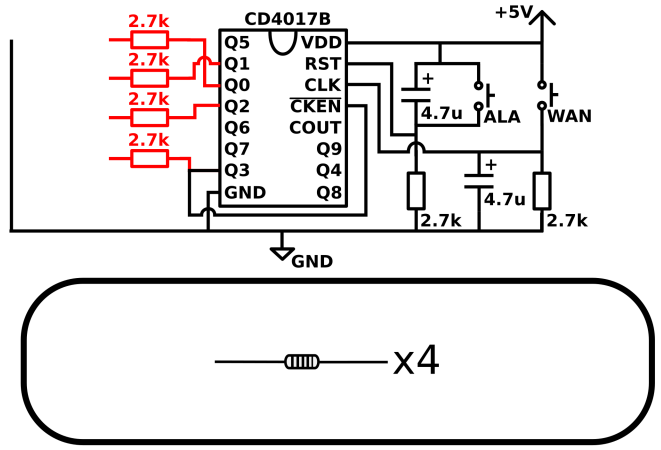
GND ↓



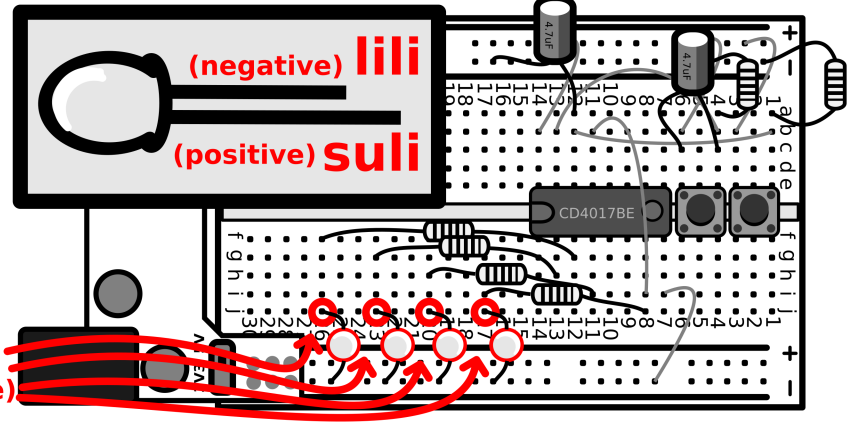
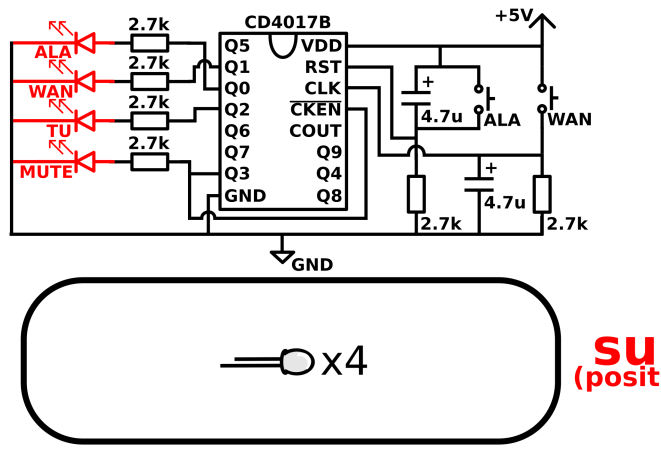
nanpa tu tu (Step 4)



nanpa luka (Step 5)

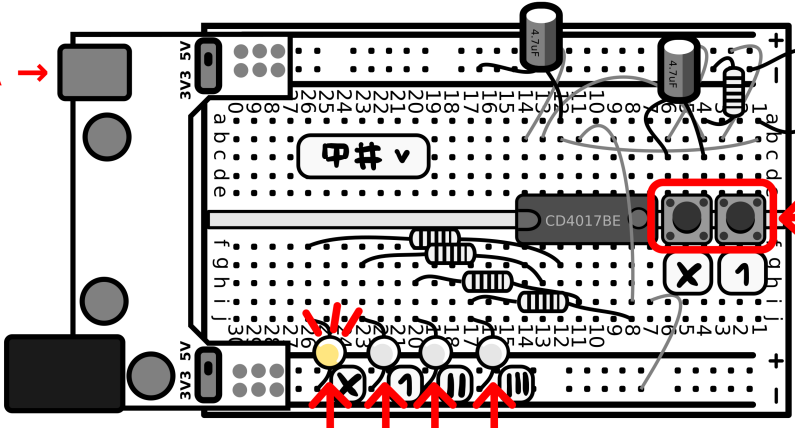


nanpa luka wan (Step 6)



USB mini-A →

**pini!
(done!)**



**o lukin e suno ni!
(look at the LEDs!)**

suno pi taki pona taki pona day 2021

**o pilin e nena ni!
(press the buttons!)**

jan Sate sadale.net